

Scaled data based on original data using
LM-79-08 Approved Method: Electrical and Photometric Measurements of Solid-State
Lighting Products

Test Report Prepared for
Cooper Lighting Solutions
(formerly Eaton)

Brand: STREETWORKS

Report Number: P571661

Luminaire Tested: **UFLD-CA2-80-727-U-66-TS2_UFLD**

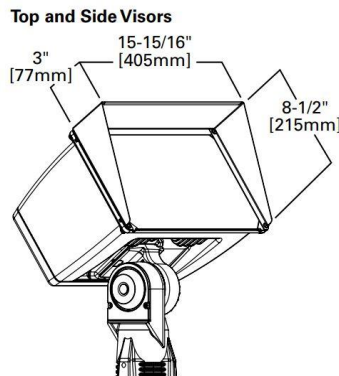
Issue Date: 9/21/2021

Test Information

Test Method: LM-79-08
Report Number: P571661
TEST IS SCALED FROM IESNA LM-79-08 TEST DATA (G2-2109-378-4)
Test Lab: COOPER LIGHTING SOLUTIONS
Issue Date: 9/21/2021
Manufacturer: COOPER LIGHTING SOLUTIONS (FORMERLY EATON)
Product Line: STREETWORKS
Catalog Number: UFLD-CA2-80-727-U-66-TS2_UFLD
Description: FLOOD LIGHT, 6x6 OPTIC WITH TOP AND SIDE VISOR
Light Source: (2) 2700K CCT, 70 CRI LEDS
Ballast/Driver: -

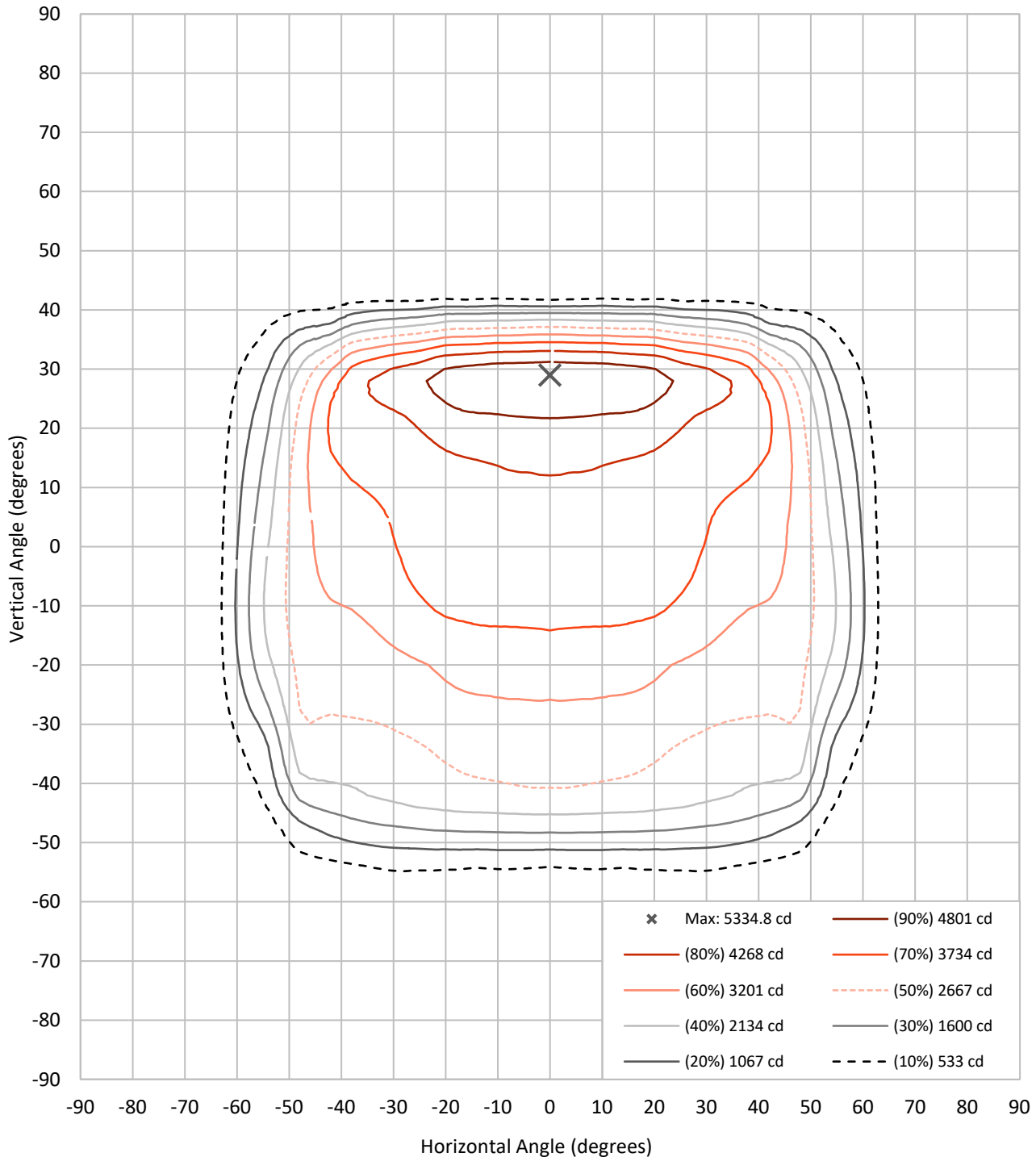
Summary

Lumens per Lamp:	N/A	NEMA Type:	6H x 5V
Luminaire Lumens:	8817 lumens	Max Intensity:	5334.8 candela
Efficiency:	N/A	Max Intensity Angle:	0°H x 29°V
Efficacy:	107.3 lumens/watt		
Luminous Opening:	Rectangular (W 1.25' x L: 0.67' x H: 0')		
Beam Angle (50%):	91.9°H x 77.9°V	Field Angle (10%):	119.5°H x 95.8°V
Beam Lumens:	6788 lumens	Field Lumens:	8591.8 lumens
Beam Efficiency:	77.0%	Field Efficiency:	97.4%
Input Watts (W):	82.2		
Input Voltage (V):	120		
Input Current (Ain):	NR		
Voltage Rise (V):	NR		
Power Factor:	NR		
Total Harmonic Distortion (THDi):	NR		
Frequency (hertz):	60		
Stabilization Time:	NR		
Operation Time:	NR		
Ambient Temperature (°C):	NR		
Test Distance:	25 FT		



REPORT NUMBER: P571661
CATALOG NUMBER: UFLD-CA2-80-727-U-66-TS2_UFLD

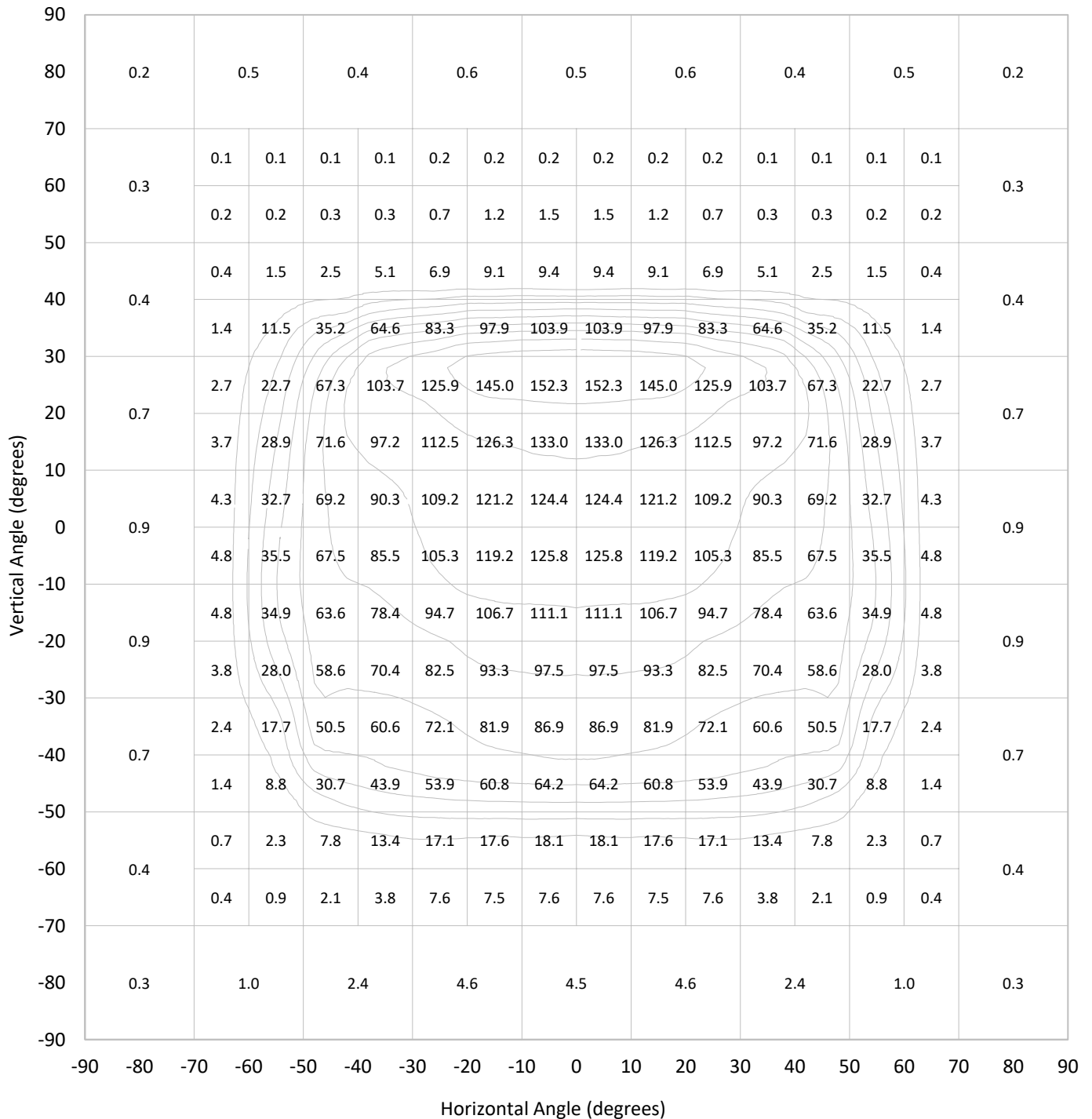
Iso-Candela Plot





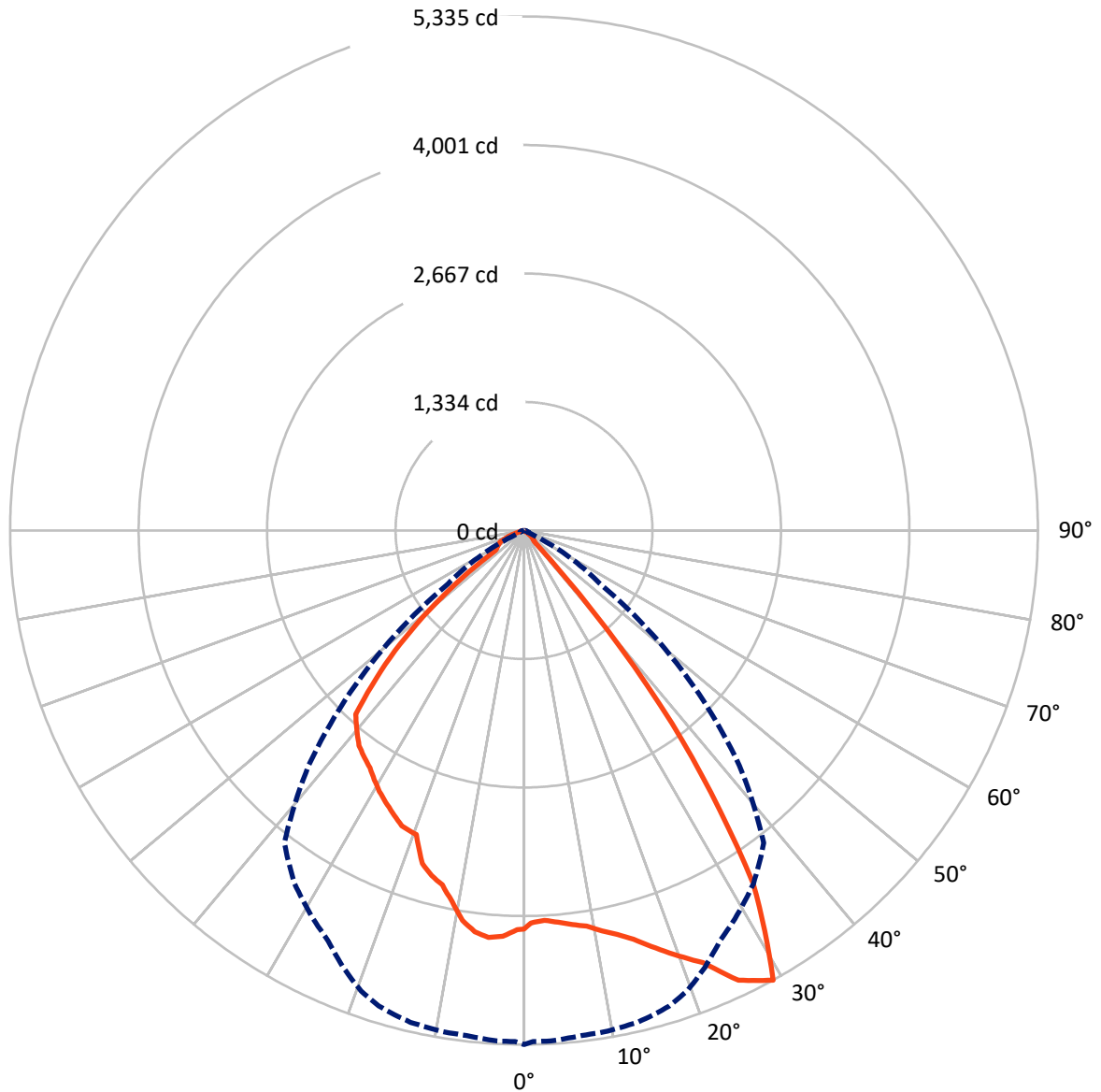
REPORT NUMBER: P571661
 CATALOG NUMBER: UFLD-CA2-80-727-U-66-TS2_UFLD

Lumen Table



REPORT NUMBER: P571661
CATALOG NUMBER: UFLD-CA2-80-727-U-66-TS2_UFLD

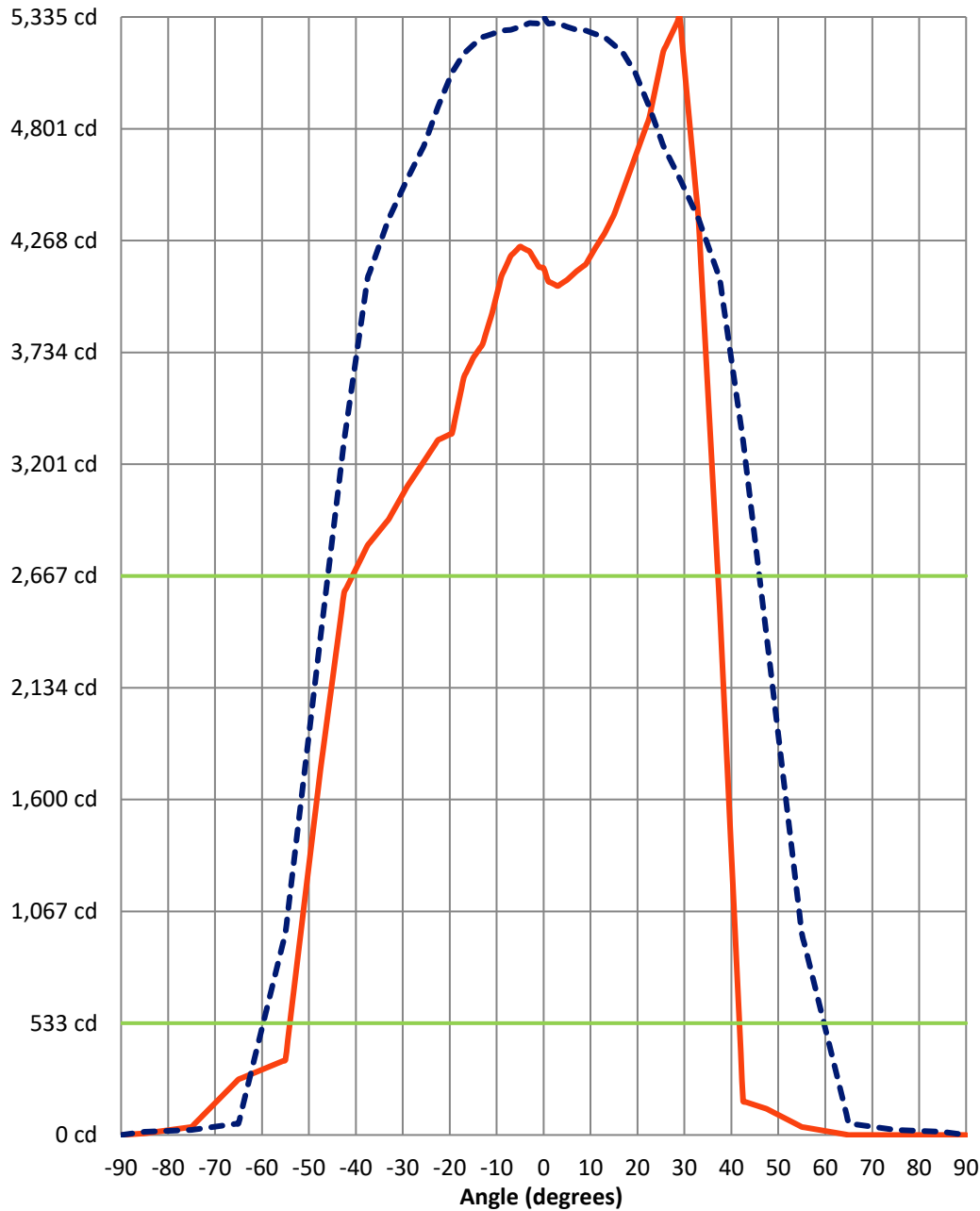
Luminous Intensity Polar Plot



— Vertical Distribution Through 0-Deg - - - Horizontal Distribution Through 29-Deg

REPORT NUMBER: P571661
 CATALOG NUMBER: UFLD-CA2-80-727-U-66-TS2_UFLD

Luminous Intensity Plot



Beam:
 H Angle: 91.9°
 V Angle: 77.9°
 Lumens: 6788
 Efficiency: 77.0%

Field:
 H Angle: 119.5°
 V Angle: 95.8°
 Lumens: 8591.8
 Efficiency: 97.4%

Spill:
 Lumens: 225.1
 Efficiency: 2.6%

— Vertical Distribution through 0-Deg
 - - - Horizontal Distribution through 29-Deg



REPORT NUMBER: P571661
 CATALOG NUMBER: UFLD-CA2-80-727-U-66-TS2_UFLD

FIELD
 BEAM

CANDELA DISTRIBUTION:

	0°	1°	3°	5°	7°	9°	11°	13°	15°	17°	19.5°
90°	0.0	0.0	0.0	0.0	0.0	0.0	0.0	0.0	0.0	0.0	0.0
85°	0.0	2.4	6.0	7.6	8.0	8.8	8.8	9.6	9.6	9.2	8.8
75°	0.0	0.8	2.4	3.6	4.4	5.2	5.6	5.6	5.6	5.2	5.2
65°	0.0	0.4	1.6	2.4	3.2	3.6	3.6	4.0	4.0	4.0	3.6
55°	38.5	39.7	38.9	38.5	38.5	37.7	36.1	33.7	30.9	31.3	29.3
47.5°	124.8	123.6	124.0	123.2	122.0	118.4	116.4	114.8	113.5	113.1	107.9
42.5°	161.3	166.5	181.8	214.3	248.8	285.7	287.7	259.6	225.5	188.2	262.0
37.5°	2523.3	2562.3	2510.9	2497.3	2429.4	2443.9	2431.9	2393.7	2390.9	2412.6	2386.1
33°	4367.8	4382.2	4355.4	4348.1	4334.1	4334.1	4318.8	4250.6	4201.3	4170.8	4161.2
29°	5334.8	5303.5	5305.5	5287.8	5273.4	5269.8	5253.3	5238.5	5201.1	5159.8	5069.5
25.5°	5170.2	5154.2	5161.8	5132.5	5127.3	5105.7	5107.7	5087.6	5060.3	5017.4	4921.1
22.5°	4852.9	4854.9	4853.7	4838.4	4832.8	4813.2	4789.5	4785.1	4782.7	4751.4	4681.2
19.5°	4667.1	4647.4	4640.6	4650.7	4633.8	4608.9	4582.0	4564.0	4542.3	4533.5	4507.4
17°	4512.2	4491.4	4500.6	4486.2	4474.9	4442.4	4413.9	4389.5	4378.2	4362.6	4324.5
15°	4391.1	4374.6	4371.8	4361.0	4369.4	4329.7	4312.8	4292.0	4269.1	4246.2	4215.3
13°	4302.4	4306.4	4299.6	4271.1	4283.9	4252.2	4231.4	4204.9	4185.6	4164.8	4147.5
11°	4231.8	4237.0	4209.7	4208.5	4214.5	4173.2	4167.2	4136.3	4125.4	4127.5	4081.3
9°	4155.1	4166.8	4176.4	4163.6	4154.3	4137.9	4128.3	4117.0	4096.6	4099.8	4088.1
7°	4121.0	4111.4	4109.0	4127.5	4113.0	4097.4	4080.9	4086.9	4090.9	4102.2	4088.1
5°	4080.1	4085.7	4089.3	4078.1	4076.1	4082.1	4071.7	4083.7	4087.3	4167.6	4192.5
3°	4050.8	4071.7	4060.8	4047.2	4056.8	4066.1	4087.7	4089.7	4128.7	4175.6	4189.2
1°	4073.3	4088.1	4089.3	4089.3	4099.0	4128.7	4131.1	4143.1	4171.6	4191.2	4202.1
0°	4136.3	4127.1	4132.7	4124.2	4147.5	4162.8	4164.8	4155.1	4176.0	4242.6	4242.6
-1°	4142.7	4146.7	4163.2	4167.6	4161.6	4180.4	4151.1	4153.5	4163.6	4202.9	4166.0
-3°	4216.1	4217.3	4215.3	4216.9	4207.3	4202.1	4181.6	4165.2	4141.5	4104.2	4072.9
-5°	4239.4	4242.2	4231.8	4227.0	4205.3	4170.4	4159.6	4131.5	4092.9	4051.2	4021.1
-7°	4194.5	4195.3	4161.6	4170.8	4135.1	4095.0	4067.3	4028.3	4000.7	3960.1	3930.0
-9°	4096.6	4082.1	4058.8	4051.6	4017.9	3968.6	3930.9	3901.6	3887.5	3863.8	3870.7
-11°	3919.2	3907.6	3908.8	3889.1	3863.4	3841.8	3823.3	3811.3	3802.9	3792.8	3778.4
-13°	3773.2	3767.1	3747.1	3753.1	3740.3	3744.7	3748.7	3743.9	3733.8	3720.6	3699.7
-15°	3707.8	3703.0	3694.1	3687.3	3686.1	3686.1	3684.5	3682.5	3673.7	3640.8	3608.7
-17°	3614.3	3602.2	3601.4	3599.4	3595.0	3597.4	3592.6	3584.2	3581.8	3559.7	3528.4
-19.5°	3348.3	3354.3	3353.5	3362.3	3352.7	3369.1	3375.1	3375.5	3363.1	3349.1	3323.0
-22.5°	3315.8	3297.3	3299.7	3304.9	3295.7	3292.1	3290.5	3292.1	3279.7	3263.2	3221.1
-25.5°	3213.9	3221.1	3221.5	3211.0	3212.6	3214.3	3195.4	3194.2	3181.8	3163.7	3118.0
-29°	3096.3	3100.7	3090.7	3091.5	3074.6	3067.4	3045.3	3032.5	3012.0	3000.0	2955.5
-33°	2937.8	2947.8	2938.6	2935.8	2919.3	2906.5	2888.1	2878.8	2846.3	2817.0	2783.7
-37.5°	2813.4	2802.2	2799.4	2805.0	2783.3	2776.1	2758.5	2743.2	2720.3	2691.9	2649.7
-42.5°	2587.1	2601.6	2596.4	2579.9	2570.7	2543.4	2532.6	2518.9	2510.1	2505.7	2457.9
-47.5°	1749.0	1756.6	1754.2	1748.6	1742.5	1740.1	1728.5	1719.3	1717.3	1710.0	1687.2
-55°	357.9	367.1	373.9	390.8	398.0	408.5	398.8	380.8	377.6	415.3	412.1
-65°	265.2	264.0	262.8	261.6	259.6	258.8	260.8	262.4	261.2	266.4	276.8
-75°	38.1	37.7	38.9	39.3	36.5	36.5	42.5	41.3	42.9	42.9	43.3
-85°	7.6	6.8	7.6	11.2	11.6	13.2	14.4	15.6	16.0	16.0	16.0
-90°	0.0	0.0	0.0	0.0	0.0	0.0	0.0	0.0	0.0	0.0	0.0



REPORT NUMBER: P571661
 CATALOG NUMBER: UFLD-CA2-80-727-U-66-TS2_UFLD

CANDELA DISTRIBUTION (continued):

	22.5°	25.5°	29°	33°	37.5°	42.5°	47.5°	55°	65°	75°	85°
90°	0.0	0.0	0.0	0.0	0.0	0.0	0.0	0.0	0.0	0.0	0.0
85°	8.0	7.2	6.4	5.6	4.8	5.2	6.0	7.6	10.8	12.4	13.6
75°	4.8	4.4	4.0	4.0	4.0	4.8	5.6	7.2	10.4	12.0	14.0
65°	3.6	3.2	2.8	2.8	2.8	3.6	5.6	7.6	10.8	12.4	14.0
55°	26.5	19.3	10.8	11.2	11.2	11.6	12.0	10.0	12.4	13.6	14.4
47.5°	91.9	65.0	39.3	30.9	30.9	26.9	23.3	17.7	22.9	14.8	14.4
42.5°	257.6	118.0	189.4	202.6	175.7	78.6	103.5	117.6	29.3	16.9	14.8
37.5°	2191.1	2098.0	1972.8	1868.5	1629.4	1028.4	930.1	408.9	34.9	19.3	14.8
33°	4014.7	3799.6	3694.9	3478.3	3311.8	2423.8	1870.5	695.7	45.7	21.7	15.2
29°	4905.8	4720.1	4563.6	4371.4	4087.7	3311.8	2380.9	962.6	55.0	24.1	15.2
25.5°	4772.6	4621.8	4470.1	4328.1	4175.6	3656.8	2695.1	1155.1	63.8	26.9	15.2
22.5°	4545.5	4380.6	4240.2	4156.7	4070.5	3770.0	2862.8	1289.6	72.2	29.7	15.6
19.5°	4373.0	4226.2	4097.4	4012.3	4004.7	3790.0	2956.3	1398.7	82.3	34.5	15.6
17°	4216.5	4095.8	3992.6	3953.7	3973.0	3737.9	3024.5	1489.0	91.5	37.7	15.6
15°	4111.0	4015.9	3932.5	3923.2	3910.4	3678.9	3075.4	1565.6	99.1	39.3	15.6
13°	4063.3	3979.4	3914.4	3905.6	3831.3	3609.5	3103.1	1635.8	105.1	40.5	15.6
11°	4007.5	3951.7	3917.6	3847.8	3743.9	3522.0	3105.1	1696.8	111.1	42.5	15.6
9°	4017.1	3944.5	3890.3	3780.8	3658.4	3477.9	3105.1	1752.2	109.9	43.7	15.6
7°	4021.5	3953.7	3841.8	3714.2	3591.4	3434.1	3113.1	1807.1	104.7	45.3	15.6
5°	4042.4	3944.1	3817.7	3662.0	3536.4	3402.8	3087.1	1863.3	102.7	46.5	15.6
3°	4043.6	3943.3	3807.7	3610.3	3497.9	3373.1	3083.9	1911.5	102.3	46.9	16.0
1°	4044.8	3939.3	3776.4	3558.9	3465.0	3358.3	3079.4	1965.2	103.5	46.9	16.0
0°	4038.8	3921.2	3763.1	3546.1	3444.6	3347.1	3084.7	1993.7	104.3	46.1	16.0
-1°	4032.0	3896.7	3730.6	3528.0	3428.9	3342.6	3079.0	2021.8	104.3	45.7	16.0
-3°	3981.8	3856.6	3700.1	3511.2	3401.6	3316.2	3058.2	2069.9	107.5	45.7	16.0
-5°	3929.6	3811.7	3667.6	3465.8	3368.3	3283.7	3063.8	2098.4	109.1	45.7	16.0
-7°	3877.9	3754.7	3621.9	3445.8	3319.4	3234.7	3048.9	2135.3	109.5	45.3	16.0
-9°	3793.6	3686.9	3545.7	3372.3	3255.6	3198.6	3043.7	2153.8	110.3	45.3	16.0
-11°	3722.6	3595.8	3468.2	3308.1	3193.8	3138.8	3018.9	2151.4	111.1	44.9	16.0
-13°	3623.5	3510.4	3394.4	3243.5	3140.8	3070.6	2993.6	2137.0	110.7	45.3	16.0
-15°	3534.0	3423.3	3306.5	3188.2	3081.4	2998.4	2955.9	2104.1	110.7	45.3	16.0
-17°	3443.4	3336.2	3226.7	3112.7	3022.1	2955.9	2927.8	2041.9	109.9	44.9	16.0
-19.5°	3240.3	3158.9	3090.7	3028.5	2952.3	2874.8	2883.6	1929.1	107.1	44.9	16.0
-22.5°	3138.0	3055.0	2985.6	2923.0	2862.8	2786.1	2837.1	1758.2	102.7	44.1	16.0
-25.5°	3045.3	2965.5	2894.1	2831.9	2791.0	2744.0	2795.0	1536.7	98.3	43.3	16.0
-29°	2888.5	2822.7	2763.7	2701.9	2669.0	2649.3	2727.6	1240.6	95.1	41.7	15.6
-33°	2713.9	2657.7	2600.0	2516.5	2481.2	2481.6	2569.1	869.9	93.1	39.3	15.6
-37.5°	2591.1	2529.0	2442.7	2350.4	2285.8	2297.4	2315.1	680.5	94.3	35.7	15.6
-42.5°	2394.1	2360.8	2256.5	2166.2	2048.3	1928.7	1750.6	508.4	82.7	29.7	15.6
-47.5°	1673.9	1625.8	1581.6	1531.5	1422.0	1224.2	935.7	201.0	73.8	23.3	15.6
-55°	436.9	431.7	459.8	422.9	346.3	258.4	225.1	77.0	55.8	20.1	15.6
-65°	300.9	312.6	245.6	163.3	82.7	70.2	109.5	41.7	30.5	17.7	15.2
-75°	42.1	37.7	29.7	31.3	32.9	30.9	28.1	17.3	17.3	16.0	14.8
-85°	15.6	14.8	14.4	14.0	13.2	12.4	12.4	12.8	14.4	15.6	14.8
-90°	0.0	0.0	0.0	0.0	0.0	0.0	0.0	0.0	0.0	0.0	0.0



REPORT NUMBER: P571661
CATALOG NUMBER: UFLD-CA2-80-727-U-66-TS2_UFLD

CANDELA DISTRIBUTION (continued):

	90°
90°	0.0
85°	0.0
75°	0.0
65°	0.0
55°	0.0
47.5°	0.0
42.5°	0.0
37.5°	0.0
33°	0.0
29°	0.0
25.5°	0.0
22.5°	0.0
19.5°	0.0
17°	0.0
15°	0.0
13°	0.0
11°	0.0
9°	0.0
7°	0.0
5°	0.0
3°	0.0
1°	0.0
0°	0.0
-1°	0.0
-3°	0.0
-5°	0.0
-7°	0.0
-9°	0.0
-11°	0.0
-13°	0.0
-15°	0.0
-17°	0.0
-19.5°	0.0
-22.5°	0.0
-25.5°	0.0
-29°	0.0
-33°	0.0
-37.5°	0.0
-42.5°	0.0
-47.5°	0.0
-55°	0.0
-65°	0.0
-75°	0.0
-85°	0.0
-90°	0.0

(END OF REPORT)